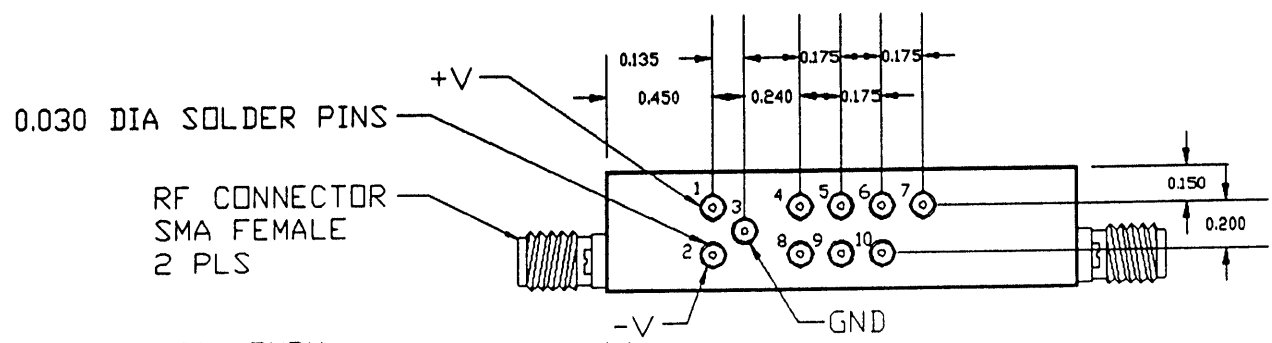


DVAN-8018-60-8-10APL1415

## Specification for RFIS Digital PIN Diode Attenuator

Frequency Range:	14 to 14.5 GHz
Attenuation Range:	0 to 10 dB (monotonically increasing)
Overall Accuracy	+/- 0.5 dB including linearity and frequency sensitivity
Amplitude/Frequency Flatness	+/- 0.5 dB (max.) over the frequency range
Resolution:	0.1 dB (monotonic)
Insertion Loss:	3.3 dB (max.)
RF Input Power:	1 W CW (max.)
RF Impedance:	50 $\Omega$ nominal
VSWR:	2.3:1 (max.)
Logic:	TTL Compatible
Switching Speed:	10 microseconds
Temperature Range:	-55° C to 85° C
Temperature Stability:	+/- 0.3 dB from +10° C to +40° C
DC Power:	+/- 15 VDC at +/- 50mA (max.)
RF Connectors:	SMA (female)
Electrical Connectors:	Solder Terminal
Size:	L=2.5", W= 2.0", H= 1.0" (max)

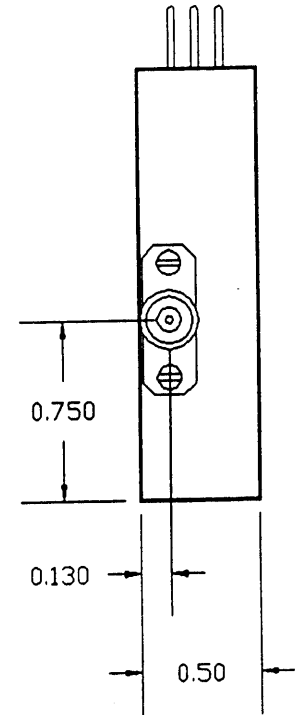
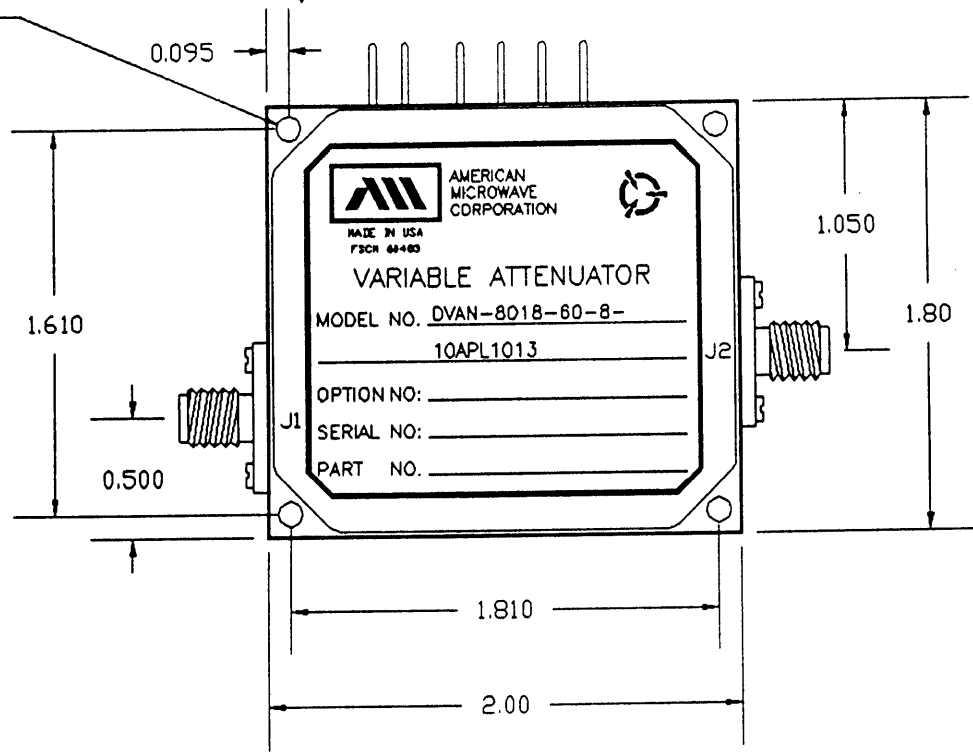
REVISIONS				
ZONE	REV.	DESCRIPTION	DATE	APPROVED
	A	ORIGINAL RELEASE	09/16/95	



0.030 DIA SOLDER PINS

RF CONNECTOR  
SMA FEMALE  
2 PLS

0.104 DIA THRU  
4 PLS



PIN	7 BIT BINARY
1	+V
2	-V
3	GND
4	0.078 dB
5	0.156 dB
6	0.312 dB
7	0.624 dB
8	1.248 dB
9	2.496 dB
10	4.992 dB

ALL DIMENSIONS ARE IN INCHES.  
TOLERANCE: X.XX ±0.020  
X.XXX ±0.010

CONTRACT NO		AMERICAN MICROWAVE CORPORATION FREDERICK, MARYLAND	
APPROVALS	DATE	TITLE	
DRAWN RAFABLE	09/16/95	DVAN-8018-60-8-10APL1013 DVAN-8018-60-8-10APL1415 DIGITAL VARIABLE ATTENUATOR	
CHECKED		SIZE	REV.
ISSUED		A 60483	A
		FSCN NO. 60483	DWG NO. 100-3723-3
		SCALE	SHEET 1 of 1